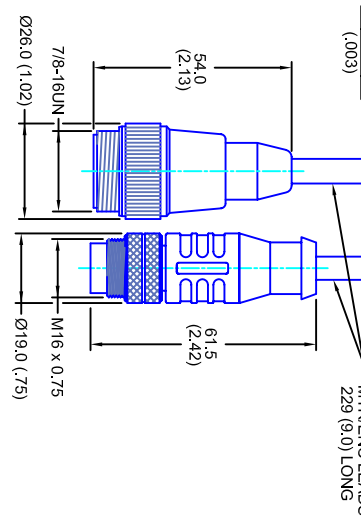
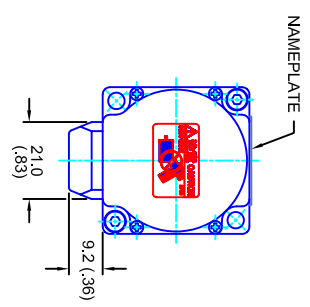
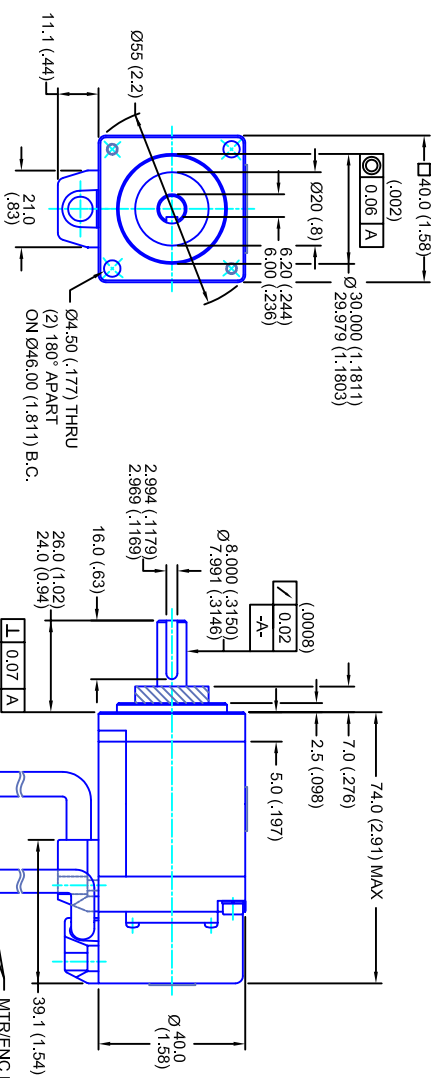


REVISIONS			
REV	DESCRIPTION	DATE	APPD
1	RELEASE DRAWING	3/21/05	



ENCODER INFO:  
5V - 2048L COMMUTATING

**MOTOR NOTES:**

1. MILLIMETERS (INCHES)
2. AXIAL LOAD: 4 KG [8.8 LBS] MAX
3. RADIAL LOAD: 8 KG [17.6 LBS] MAX @ 20MM [787] FROM FACE
4. MOTOR SEALED TO IP65
5. MOTOR SHAFT: S45C STEEL
6. MOTOR FINISH: SEMI GLOSS BLACK
7. MOTOR WEIGHT: .4 KG [ .88 LBS ]

**ELECTRICAL DATA**

MOTOR PARAMETERS	UNITS/MEASURE	VALUES
VOLTAGE	VOLTS-AC	230
AMP TYPE		SINE
HORSEPOWER	Hp	.13
KILOWATTS	KW	.10
MAX OPERATING SPEED	RPM	5000
SPEED @ RATED TORQUE	RPM	3000
*CONTINUOUS RATED TORQUE @ 3000 RPM	IN-LBS(INM)	2.81[.318]
*CONTINUOUS STALL TORQUE	IN-LBS(INM)	3.10[.350]
CONTINUOUS LINE CURRENT	AMPS(RMS)Ⓢ	1.0
PEAK TORQUE	IN-LBS(INM)	8.4[.95]
PEAK CURRENT	AMPS(RMS)Ⓢ	3.0
MAX THEORETICAL ACCEL.	RAD/SEC <sup>2</sup>	311,111
TORQUE SENSITIVITY	KI	IN-LBS/AMP(RMS)Ⓢ/MIN/AMP(RMS)Ⓢ
BACK EMF (LINE TO LINE)	V/mv/krpm	17.6
D.C. RESISTANCE (P-P)	OHMS	20.3
INDUCTANCE (P-P)	MLLHENRIES	32
ROTOR INERTIA	Jm	.000027[.0000020]
STATIC FRICTION	Tf	.18[.020]

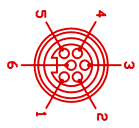
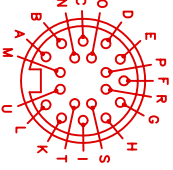
**CONNECTION CHART**

TURCK -> BSM 19

PIN	WIRE FUNCTION	WIRE COLOR
A	CH A	BLU
B	CH B	GRN
C	CH Z	YEL
D	CH UE	BRN
E	CH VE	GRY
F	CH WE	WHT
G	+5Vdc	RED
H	CH AI	BLU/BLK
I	CH BI	GRN/BLK
K	CH ZI	YEL/BLK
L	CH UEI	BRN/BLK
M	CH VEL	GRY/BLK
O	CH WEL	WHT/BLK
P	OV	BLK
R	SHLD	SHLD
N	NC	NC
S	NC	NC
T	NC	NC
U	NC	NC

TUROK -> RSM 61

PIN	WIRE FUNCTION	WIRE COLOR
1	Φ U	RED
2	Φ V	WHT
3	Φ W	BLK
4	PE GND	GRN/YEL
5	-	-



**CUSTOM MOTORS INC**

40MM - 3 STK  
230V/KE=17.6M/ET/2048/MOLDED

TOLERANCES UNLESS SPECIFIED	
BORING	= H12
PERFILING	= H12
DECIMAL .xxx	± .12 (.005)
DECIMAL .xx	± .25 (.010)
DECIMAL .x	± .51 (.020)
ANGLE	± .08 (0.6)
FINISH:	REMOVE ALL BURRS, BREAK SHARP EDGES, AS PER (0.10)
MATERIAL:	PROPRIETARY RIGHTS OF CUSTOM MOTORS ARE INCLUDED IN THE INFORMATION DISCLOSED HEREIN. THIS INFORMATION IS NOT TO BE REPRODUCED OR TRANSMITTED IN ANY FORM OR BY ANY MEANS, ELECTRONIC OR MECHANICAL, INCLUDING PHOTOCOPYING, RECORDING, OR BY ANY INFORMATION STORAGE AND RETRIEVAL SYSTEM.
SCALE	1:1
DATE	3/21/05
DRAWING NO.	CM403Q17.6MK2048M
CUSTOMER:	UD983-50
DRAWN:	DFLA
SHEET:	1 OF 1
REV.	1