

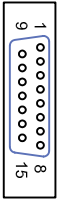
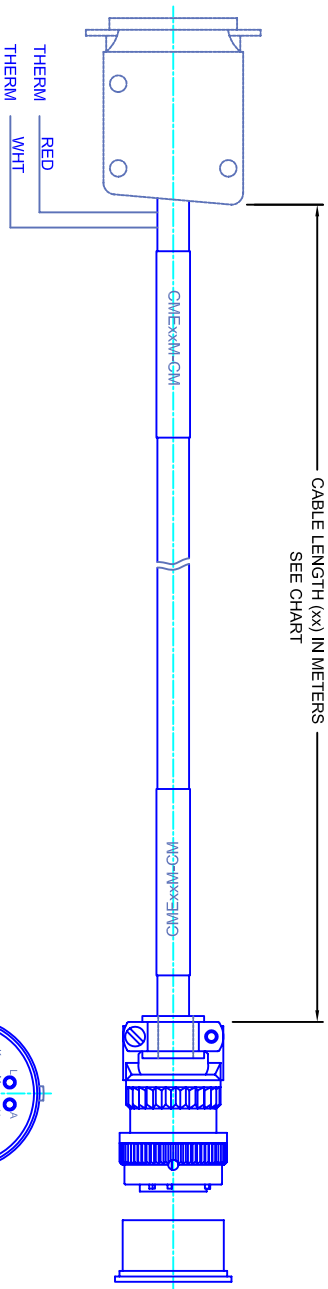
NOTES:

- CONNECTOR - #86-20002 - P106E-14-18S(476) - MOTOR END
- CABLE - 24 AWG - 9 PR. SHIELD: Ø8.6 (.34) Ⓢ
- CONNECTOR - MALE 15 PIN DSUB - AMP END
- THERM LEADS ARE 152 (6") IN LENGTH FROM WHERE THEY EXIT THE CABLE.
- PROTECTIVE CAP -
- BEND RADIUS = 52.3MM (2.06")

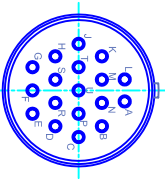
| REVISIONS | | | |
|-----------|---------------------------|---------|------|
| REV | DESCRIPTION | DATE | APPD |
| 1 | RELEASE DRAWING | 2/24/04 | |
| 2 | UPDATE FUNCTION/COLOR/PIN | 3/30/04 | |
| 3 | UPDATE CABLE DESC | 12/9/05 | |

| xx = CABLE LENGTH (METERS) | REF EQUIVALENT MEASURE (FT) |
|----------------------------|-----------------------------|
| 01 = 1 M | 01 = 3.28 FT |
| 03 = 3 M | 03 = 9.84 FT |
| 05 = 5 M | 05 = 16.40 FT |
| 07 = 7 M | 07 = 22.97 FT |
| 09 = 9 M | 09 = 29.53 FT |
| 11 = 11 M | 11 = 36.09 FT |
| 13 = 13 M | 13 = 42.65 FT |
| 15 = 15 M | 15 = 49.21 FT |

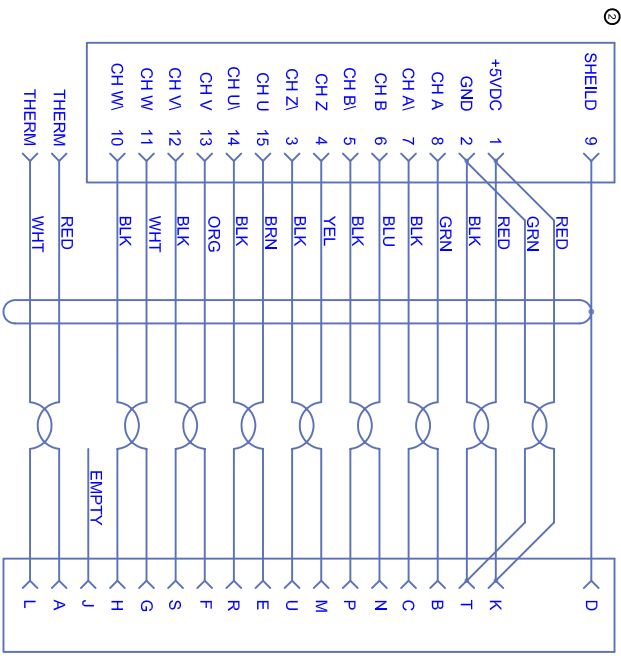
THE DSUB CONN/HOUSING IS SENT LOOSE. PINS ARE CRIMPED TO THE LEADS. TO ALLOW FOR ROUTING CABLE THROUGH CABINETS, WALL, BOXES, ETC.



PIN NUMBERING DETAIL



REAR FACE OF SOCKET INSERT



TOLERANCES UNLESS SPECIFIED

BORING: = H12 ✓
 SURFACE FINISH: = 63 Ra ✓
 DECIMAL: .xxx ±.12 (.005)
 DECIMAL: .xx ±.25 (.010)
 DECIMAL: .x ±.51 (.020)
 FRACTION: ±.01 (.016)
 ANGLE: = 0.50

REMOVE ALL BURRS/BREAK SHARP EDGES AS SHOWN (0.10°)

PROPRIETARY RIGHTS OF CUSTOM MOTORS ARE INCLUDED IN THE INFORMATION DISCLOSED HEREIN. THIS INFORMATION DOES NOT BE REPRODUCED OR TRANSMITTED IN ANY FORM OR BY ANY MEANS, ELECTRONIC OR MECHANICAL, INCLUDING PHOTOCOPYING, RECORDING, OR BY ANY INFORMATION STORAGE AND RETRIEVAL SYSTEM.

CUSTOM MOTORS INC

ENCODER CABLE

1421190 - 24 AWG - 14-18S - DSUB15

CUSTOMER: DRAWN: DFLA SHEET: 1 OF 1

SCALE: 1:1 DATE: 2/24/04 DRAWING NO.: GMExxM-CM REV.: 3